



# TAI-SAW TECHNOLOGY CO., LTD.

No. 3, Industrial 2nd Rd., Ping-Chen Industrial District,  
Taoyuan, 324, Taiwan, R.O.C.

TEL: 886-3-4690038 FAX: 886-3-4697532

E-mail: [tstsales@mail.taisaw.com](mailto:tstsales@mail.taisaw.com) Web: [www.taisaw.com](http://www.taisaw.com)

## Approval Sheet For Product Specification

Issued Date: 2007/1/5 (REV NO : 1)

Product Name: 7.0x5.0 36 MHz VCXO

TST Parts No.: TX0215A

Customer Parts No.: \_\_\_\_\_

Company: _____
Division: _____
Approved by : _____
Date: _____

Checked by: \_\_\_\_\_ Ryan Huang

Approval by: \_\_\_\_\_ Robert Chang

Date: \_\_\_\_\_ 2007/1/5



# TAI-SAW TECHNOLOGY CO., LTD.

No. 3, Industrial 2nd Rd., Ping-Chen Industrial District,  
Taoyuan, 324, Taiwan, R.O.C.

TEL: 886-3-4690038 FAX: 886-3-4697532

E-mail: [tstsales@mail.taisaw.com](mailto:tstsales@mail.taisaw.com) Web: [www.taisaw.com](http://www.taisaw.com)

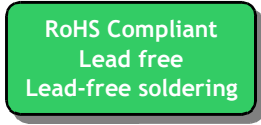
## 7.0x5.0 VCXO 36 MHz

MODEL NO.: TX0215A

REV. NO.: 1

### Features:

1. 3.3V Operation / HCMOS Output
2. Enable / Disable Tristate Function (6-Pad)
3. Main application: WLAN, SONET/SDH/DWDM, Gigabite Ethernet, Storage Area Network, Digital Video



### Electrical Specifications:

Measurement shall be made under room temperature and humidity at below conditions.

Temperature: 25+/-3 °C

Humidity: Below 70% RH

Operating Temperature: -40 °C to +85 °C

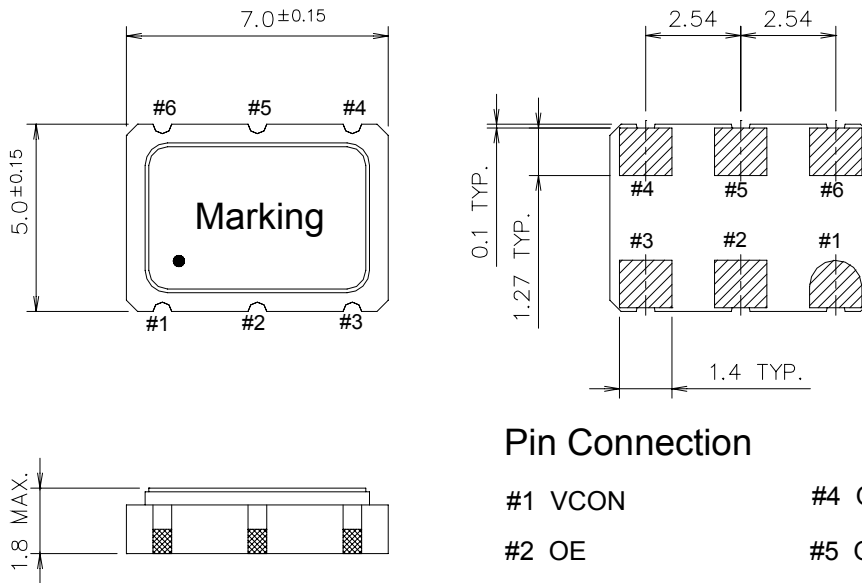
Storage Temperature: -40 °C to +85 °C

Characteristics	Units	Minimum	Typical	Maximum
Center Frequency	MHz		36	
* Frequency Stability	ppm	-50	-	50
Input Voltage (Operating Vdd)	VDC	-	3.3 +/- 5%	-
Input Current	mA	-	-	20
Control Voltage (Vt)	VDC	0.15	1.65	3.15
Frequency Pullability	ppm	+/-100	-	-
Linearity	%		10%	
<b>Output</b>				
Load	pF	-	15	-
"0" Level (Vol)	V	-	-	0.33
"1" Level (Voh)	V	2.97	-	-
Symmetry (Duty Cycle)	%	45%	-	55%
Rise Time (10%->90% VDD)	nSec	-		6
Fall Time (90%->10% VDD)	nSec	-		6
Tristate Function		PIN#2: High or Open , PIN#4: Enable PIN#2: Low , PIN#4: Disable		
Package size		SMD7.0x5.0x1.8mm		

Parameter denoted with an asterisk( \* )

Note1 : Frequency stability includes 25°C tolerance, operating temperature range, aging and input voltage or load change.

# Mechanical Dimensions (mm):



## Pin Connection

- #1 VCON
- #2 OE
- #3 GND
- #4 Output 1 ( Q )
- #5 Output 2 ( Qbar )
- #6 VDD

## Marking:

Line 1: 36.000 (Frequency)

Line 2:  $\text{\textcircled{T}}$ XDA (TST logo + Product Code + Data Code + TST Internal Code)



## Product Code Table

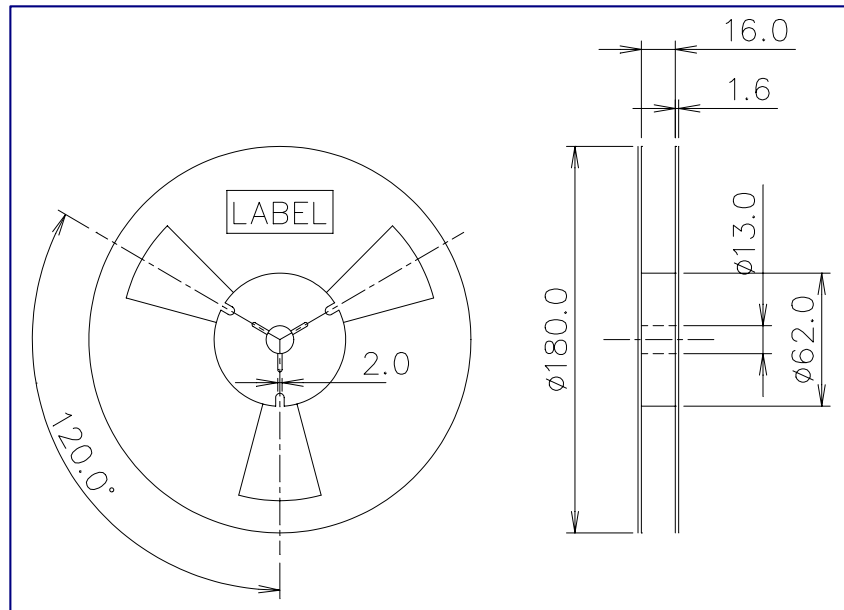
Year	2001 2005	2002 2006	2003 2007	2004 2008
Product Code	X	x	<u>X</u>	<u>x</u>

## Date Code Table

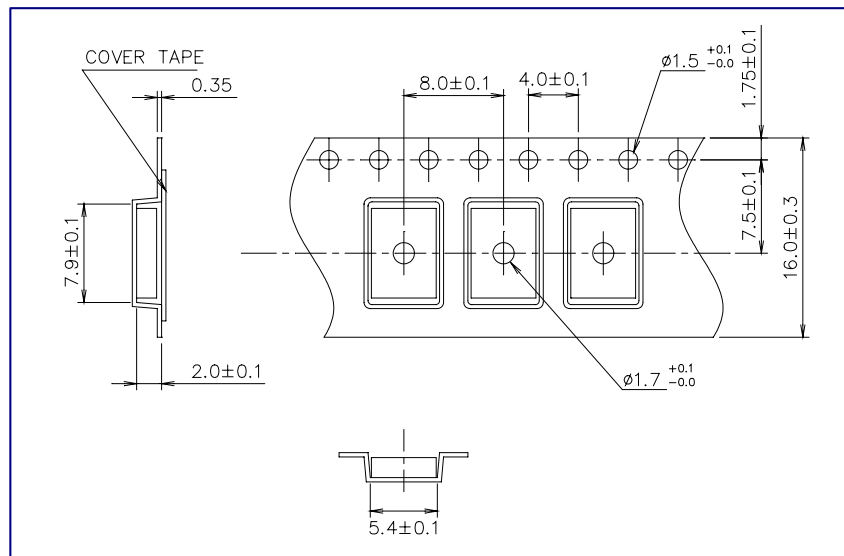
WK01	WK02	WK03	WK04	WK05	WK06	WK07	WK08	WK09	WK10	WK11	WK12	WK13
A	B	C	D	E	F	G	H	I	J	K	L	M
WK14	WK15	WK16	WK17	WK18	WK19	WK20	WK21	WK22	WK23	WK24	WK25	WK26
N	O	P	Q	R	S	T	U	V	W	X	Y	Z
WK27	WK28	WK29	WK30	WK31	WK32	WK33	WK34	WK35	WK36	WK37	WK38	WK39
a	b	c	d	e	f	g	h	i	j	k	l	m
WK40	WK41	WK42	WK43	WK44	WK45	WK46	WK47	WK48	WK49	WK50	WK51	WK52
n	o	p	q	r	s	t	u	v	w	x	y	z

# Tape & Reel: Packing Quantity: 1k /Reel

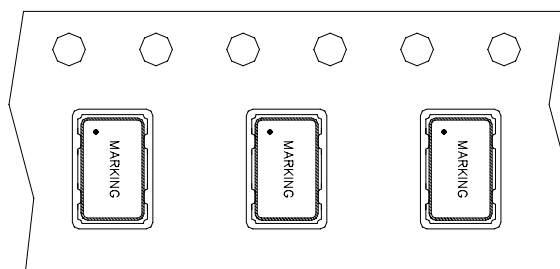
## ■ REEL DIMENSION (unit: mm)



## ■ TAPE DIMENSION (unit: mm)



## ■ PACKING DIRECTION



# Reflow Profile:

